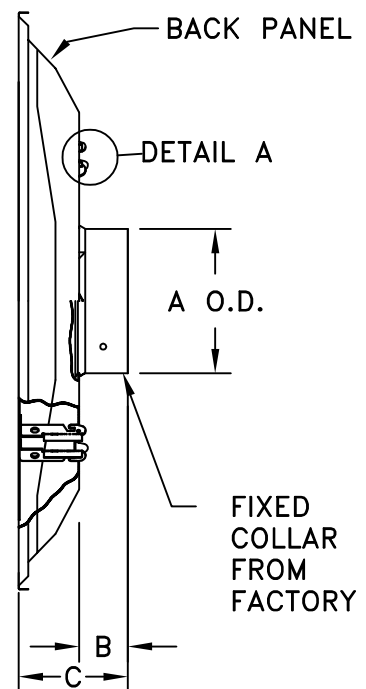
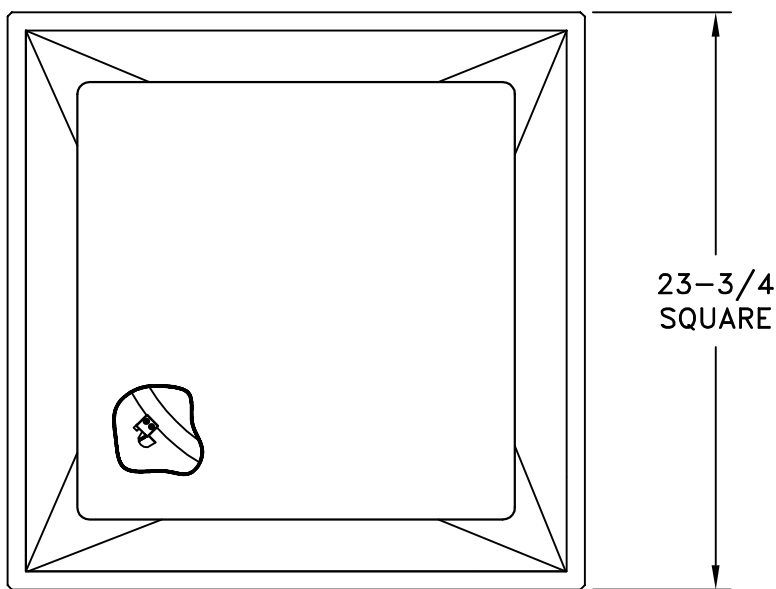
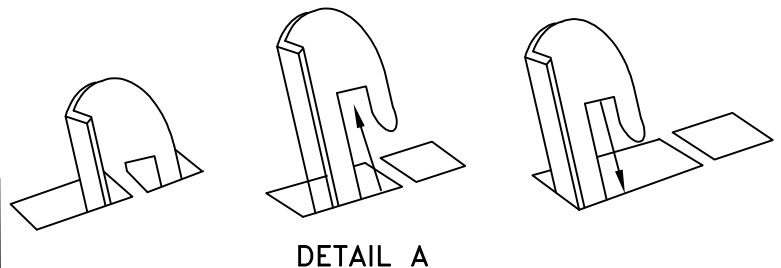


- ALL ALUMINUM CONSTRUCTION, PERFECT FOR MRI APPLICATIONS
- FITS STANDARD 24" X 24" T-BAR CEILING SYSTEMS
- AVAILABLE IN 6,8,10,12,14, INCH FIXED COLLAR SIZES
- REMOVABLE FACE PLATE
- 360° PATTERN DELIVERY
- FINISH: WHITE (W) ENAMEL



REMOVING FACE PLATE:

1. PUSH THE FACE PLATE TOWARDS THE BACK PANEL. THIS WILL DISENGAGE THE HOOKS FROM THE BACKSIDE PANEL SLOTS (DETAIL A).
2. ROTATE THE FACE PLATE COUNTER-CLOCKWISE AND PULL PLATE AWAY FROM BACK PANEL AND HOOKS THRU THE SLOTS.



| SIZE | A O.D. | B | C |
|----------|--------|-------|-------|
| 6,8 | -1/8 | 1 1/4 | 3 3/4 |
| 10,12,14 | -1/8 | 1 3/8 | 3 7/8 |

| | | | |
|-------------------|--|------------------|---------|
| JOB NAME: _____ | SUBMITTED BY: _____ | DATE: 05/14/2014 | SD-9457 |
| LOCATION: _____ | ADPD Aluminum Lay-in Diffuser Detachable Face Plate | | |
| ARCHITECT: _____ | | | |
| ENGINEER: _____ | | | |
| CONTRACTOR: _____ | | | |